

WAVELOCK
Unique bayonet
interface for
liquid filters

- ✓ Unique bayonet interface
- ✓ Genuine part protection
- ✓ Easy, fast and modular



MANN+HUMMEL WAVELOCK

Unique bayonet interface for liquid filters

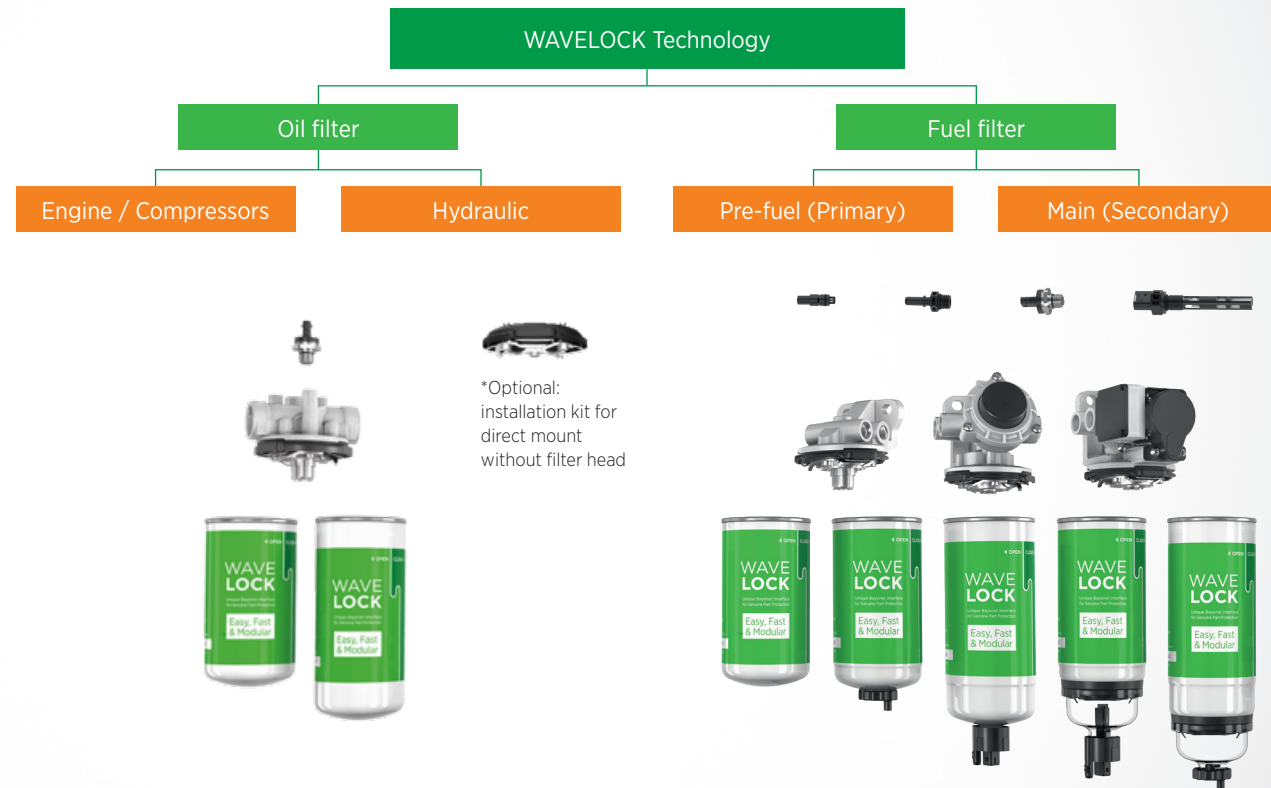


Product features and concept advantages

Your benefits with WAVELOCK technology:

- Unique and patented bayonet interface ensures genuine part protection against inferior parts in the aftermarket
- Reliable protection for less downtime and long machine life
- High quality filter media for long lifetime
- Easy and fast service without tools
- Modular and flexible for every liquid application
- Customer branding for increased brand recognition

Modular filter kit with WAVELOCK - available for all liquid filter applications

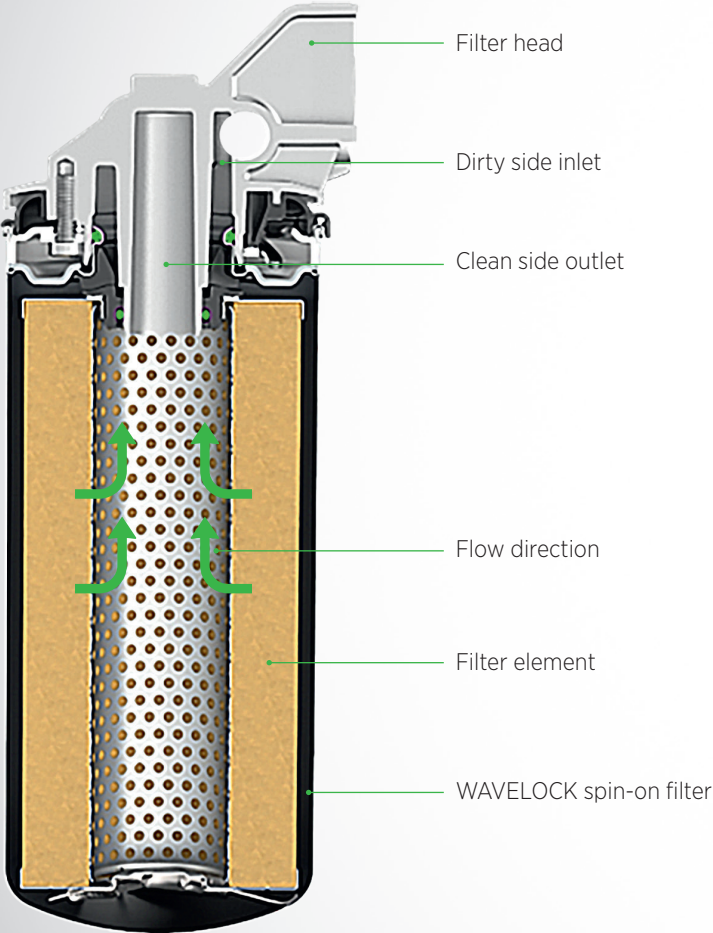


MANN+HUMMEL WAVELOCK

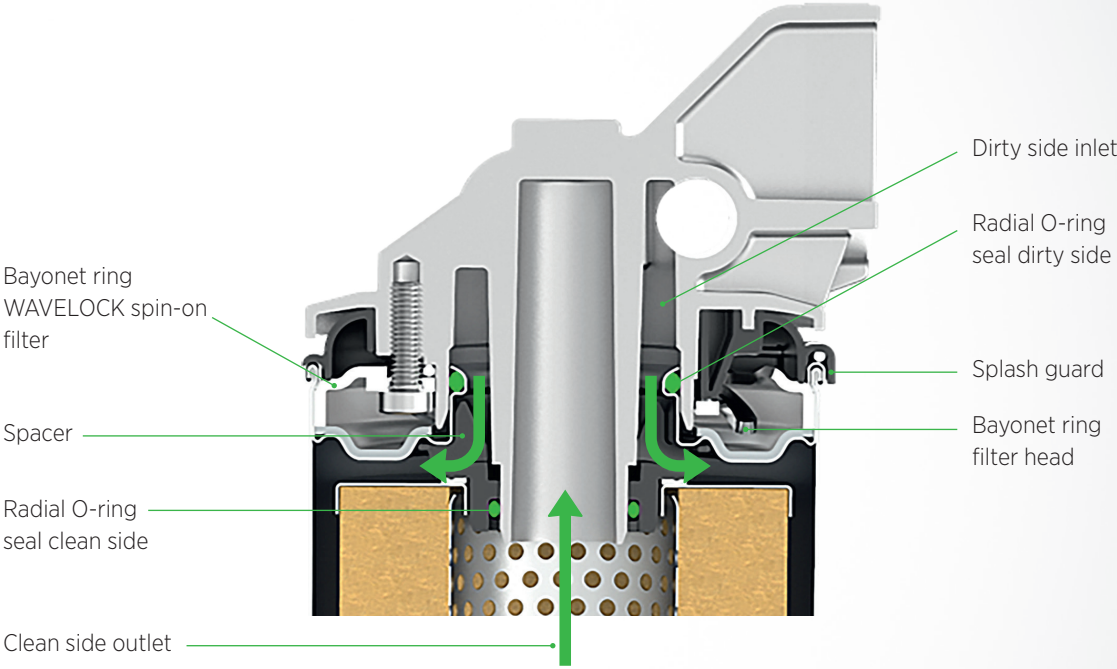
Unique bayonet interface for liquid filters



Product layout



Unique design of the WAVELOCK bayonet interface



MANN+HUMMEL WAVELOCK

Unique bayonet interface for liquid filters



Overview of standard filter versions

	Engine / Compressor oil	Hydraulic oil	Pre-Fuel filter	Fuel filter
Filter types	W 940 (95 x 145 mm)* W 962 (95 x 213 mm)*	WD 940 (95 x 145 mm)* WD 962 (95 x 213 mm)*	PL Flex W250 (95 x 227 mm)* PL Flex W400 (95 x 272 mm)*	WK 940 (95 x 145 mm)* WK 962 (95 x 213 mm)*
Volume flow range	up to 100 l/min	up to 100 l/min	up to 400 l/h	up to 1000 l/h
Operating pressure	up to 20 bar	up to 20 bar	up to 4 bar	up to 10 bar
Filter bypass valve	optional (2.5 bar)	optional (2.5 bar)	-	-
Filter media portfolio	MULTIGRADE O - Oil filter media technology: cellulose, mixed fiber, fully synthetic or glass fiber media	MULTIGRADE O - Oil filter media technology: cellulose, mixed fiber, fully synthetic or glass fiber media	MULTIGRADE F - Fuel filter media technology for pre-fuel filter applications with 1- or 3-stage water separation	MULTIGRADE F - Fuel filter media technology for main fuel filter applications
Splash guard	optional	optional	optional	optional
Filter head	Base filter head inline (or optional installation kit)	Base filter head inline (or optional installation kit)	Base version or integrated filter head with hand / electrical pump and variable connector options	Base version with variable connector options
Accessories	Liquid sensors	Liquid sensors	<ul style="list-style-type: none"> ■ Liquid sensors ■ hand/electric pump ■ electric fuel heater / fuel recirculation valve ■ water bowl ■ water drain ■ WIF sensor 	Liquid sensors

* Size Spin-on

- Customized WAVELOCK filters can be realized on your demand
- Our broad filter media and component portfolio is ready to meet your requirements
- Larger filter sizes (W11 types) will complete our WAVELOCK portfolio



MANN+HUMMEL Contact

Engineering

Michael Stehmeier

Lead Product Engineer

michael.stehmeier@mann-hummel.com

Phone: +49 6232 53-8942



**Open the website for more information
about WAVELOCK.**



Watch the video of WAVELOCK.