

A tall, white, rectangular industrial filtration unit. It features three circular ports on the left side, a digital display and control panel on the right side, and a large circular outlet at the bottom right. The unit is mounted on a wall with four screws at the top. The MANN+HUMMEL logo is printed in green on the front panel.

MANN+
HUMMEL

ScandMist 200H
Heat treatment
filtration system

ScandMist

NEW

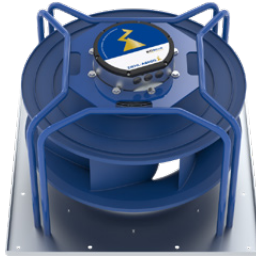
ScandMist 200H

Heat treatment filtration system

General	Product	Units	ScandMist 200H
	Application		Heat treatment, hardening furnaces
	Capacity (nominal)	m ³ /h	2000
	Part number		A1B20HB100000A
Connections	Inlet type		Jacobs
	Inlet diameter	mm	200
	Drain		2 off, 2" Threaded (BS 21) Female
	Air inlet options		Left/Right
	Exhaust		Top free blow out and optional flange back side
Filters	Filters/stage		1
	Stage 1 filter (Aircube Select 4V)		800416064567
	Stage 2 filter (Aircube N Eco)		800481002912
	Stage 3 filter (HEPA H13)		800530024917
	Available external pressure drop	Pa	200
Motor	Type		Electrically commutated
	Part number		9709005278
	Quantity		1
	Mains supply		3 - 380-480 V, 50/60 Hz
	Ventilation		TEFC
	Power	kW	3.7
	Maximum current	A	4.6
	Speed	RPM	Max 4100
	Environmental protection		IP54
Physical properties	Width	mm	773
	Height	mm	1886
	Depth	mm	669
	Weight	kg	Clean filters: 210, Wet filters: 265
	Noise level	dB(A)	<72
	Fan		Backward bent blades
	Finish		Powder coating inside and outside
Controls	Control system		Micaflex MF-PFA
	Differential pressure gauges		3 off
Prefilter	Wire-mesh demister		2500273213
	Non-woven prefilter		800110062319

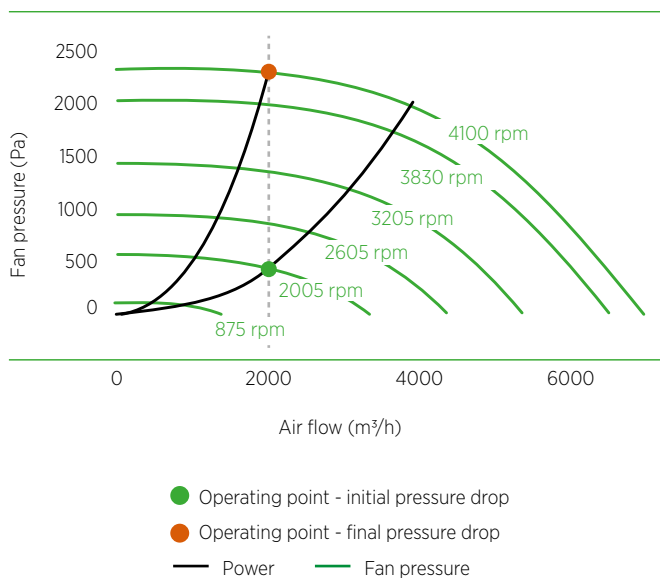
EC fan and motor

The EC motors exceed the IE4 efficiency class (Super Premium Efficiency) and enable cost-effective and quiet operation.



Connecting interface

Wiring via a Harting male/female connector. Quick and easy installation with all connecting interfaces at one spot.

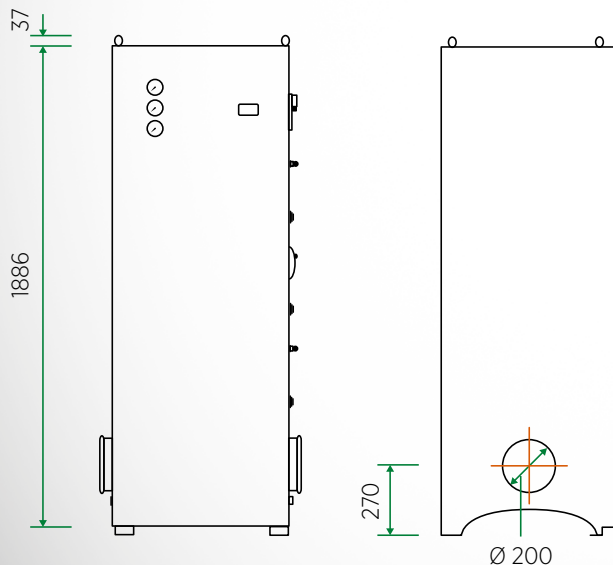


Power		Signal exchange	
1	L1	1	ON/OFF (make contact)
2	L2	2	M
3	L3	3	Output Signal: In Operation
4	N	4	M
5	PE	5	AL1
		6	M
		7	AL2
		8	N
		9	AL3
		10	N
		11	Reset
		12	N
		13	AI2
		14	N

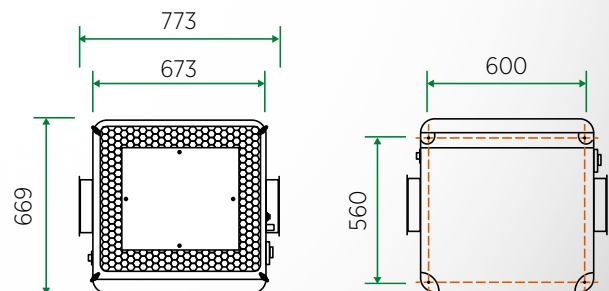
Input: ON/OFF
 Output: In Operation
 Alarm 1, Motor/Power
 Alarm 2, System pressure high/low/operation signal
 Alarm 3, System pressure high/low/operation signal
 Reset for alarms
 Analog output 2 of Micaflex MF-PFA

Dimensions and weight

Units: mm



Weight	kg
Empty	155 kg
Clean filters	210 kg
Wet filters	265 kg





0222 © MANN+HUMMEL