

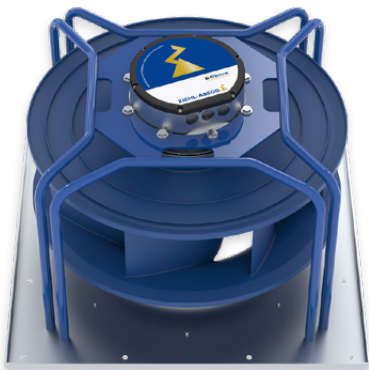
ScandMist 200P OEM



ScandMist 200P OEM

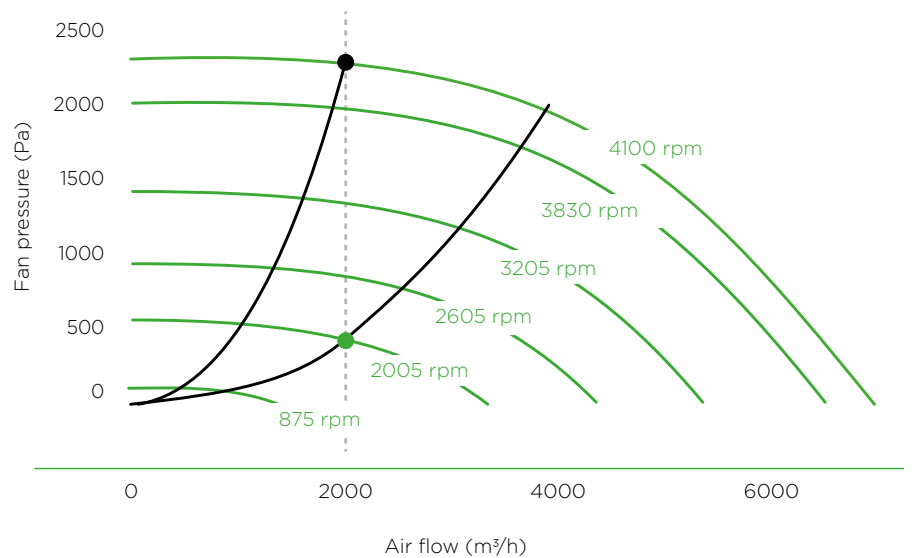
Oil fume & VOC filtration

	Product	ScandMist 200P OEM
General	Application	Rubber and plastic fumes
	Capacity (nominal)	2000 m ³ /h
	Part number	1000013580
Connections	Inlet type	Jacobs
	Inlet diameter	200 mm
	Drain	2 off, 2" Threaded (BS 21) Female
	Air inlet options	Left/right/back
	Exhaust	On top
Filters	Filters/stage	1
	Stage 1 filter (coalescer)	1000023415
	Stage 2 filter (HEPA H13)	1000003553
	Stage 3 filter (Carboactiv Cube N)	1000003216
	Available external pressure drop	200 Pa
Motor	Type	Electrically commutated
	Part number	1000014728
	Quantity	1
	Mains supply	3 - 380-480 V, 50/60 Hz
	Efficiency	Super premium efficiency IE5 (IEC60034-30-2)
	Power	3.7 kW
	Maximum current	4.6 A
	Speed	Max 4100 rpm
	Environmental protection	IP54
Physical properties	Width	1416 mm
	Height	971 mm (excluding inlet transition)
	Depth	685 mm (excluding inlet transition)
	Weight	Clean filters: 233 kg, wet filters: 288 kg
	Noise level	<69 dB(A)
	Fan	Backward-bent blades
	Finish	Powder coating inside and outside
Controls	Control system	Micaflex MF-PFA
	Differential pressure gauges	3 off
Options	Oil pump	N/A
	Level sensor	1000014268
	Prefilter demister	Included
	Spray	Not included
	Silencer	Insulated fan housing



EC FAN AND MOTOR

The EC fan and motor combine energy efficiency and quiet operation.



- Operating point - initial pressure drop
- Operating point - final pressure drop
- Fan pressure
- Power

CONNECTING INTERFACE

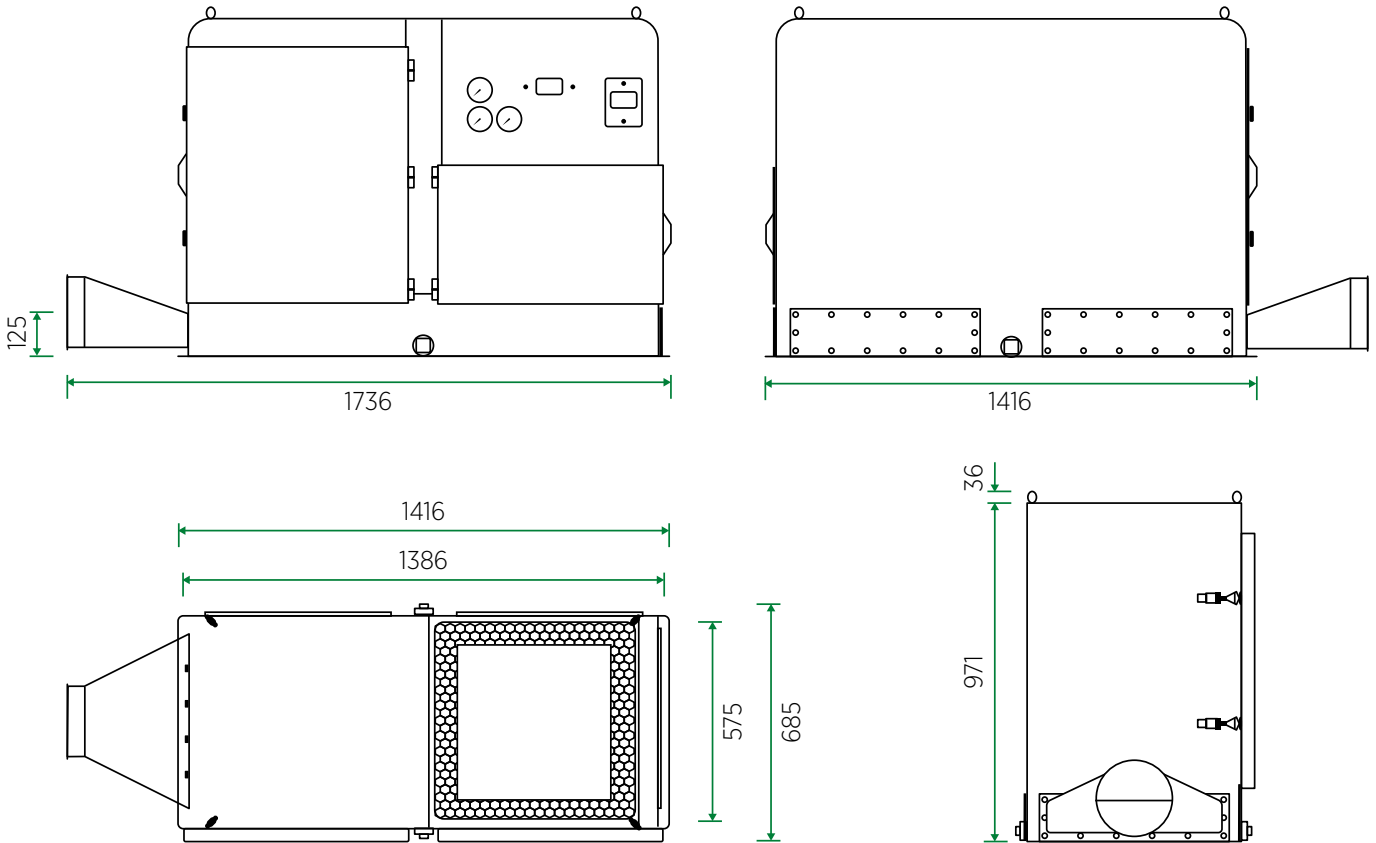
Wiring via a Harting male/female connector. Quick and easy installation with all connecting interfaces in one spot.

Power	
1	L1
2	L2
3	L3
4	N
5	PE

Signal exchange

1	ON/OFF (make contact)	Input: ON/OFF
2	M	
3	Output Signal: In Operation	Output: In Operation
4	M	
5	AL1	Alarm 1, Motor/Power
6	M	
7	AL2	Alarm 2, System pressure high/low/operation signal
8	N	
9	AL3	Alarm 3, System pressure high/low/operation signal
10	N	
11	Reset	Reset for alarms
12	N	
13	AI2	Analog output 2 of Micaflex MF-PFA
14	N	

Dimensions (mm)



We reserve the right to update, change or supplement the information provided in this document without prior notice.

0623 © MANN+HUMMEL