

# TriMist 850 G2 Oil mist filtration system



# TriMist 850 G2

## Oil mist filtration system

Overview	Item	Units	TriMist 850 G2
	Application		Metalworking fluid and oil mist
	Nominal air flow rate	m <sup>3</sup> /h	500-1.400*
	Efficency ISO 16890		Up to 95% ePM1
<b>Connections</b>	ESP power supply		Solid and self-regulation
	ESP power supply number		2
	Air inlet		Bottom
	Air inlet dimensions	mm	420 x 230
	Electrical rating		220-240 V, 50 Hz, max.1.3 amps
	Power	W	Max. 280
<b>Filters</b>	Filter/level		4
	Primary filter		2 x 46 mm mechanical impinger
	Secondary filter		1 ESP x 4.9 m <sup>2</sup> filtration area
	Tertiary filter		1 ESP x 4.9 m <sup>2</sup> filtration area
	Fourth-stage filter		1 x25 mm thick post filter
<b>Motor</b>	<b>Type</b>		<b>Electrically commutated</b>
	Quantity		1
	AC power		220-240V, 50Hz, single phase
	Power input	kW	0.21
	Current draw / starting current	A	0.9 / 1.53
	Environmental protection		IP44
<b>Physical properties</b>	Width	mm	659
	Height	mm	619
	Depth	mm	367
	Installation weight	kg	46
	Noise level	dB(A)	≤ 68**
	Impeller		Backward curved, vibration free
	Surface		Powder coating inside and outside
<b>Optional features</b>	Source capture plenums		Optional
	Fifth-stage filter		Optional
	Floor stand		Optional
	Ceiling hanging kit		Optional
	Flex duct		Optional

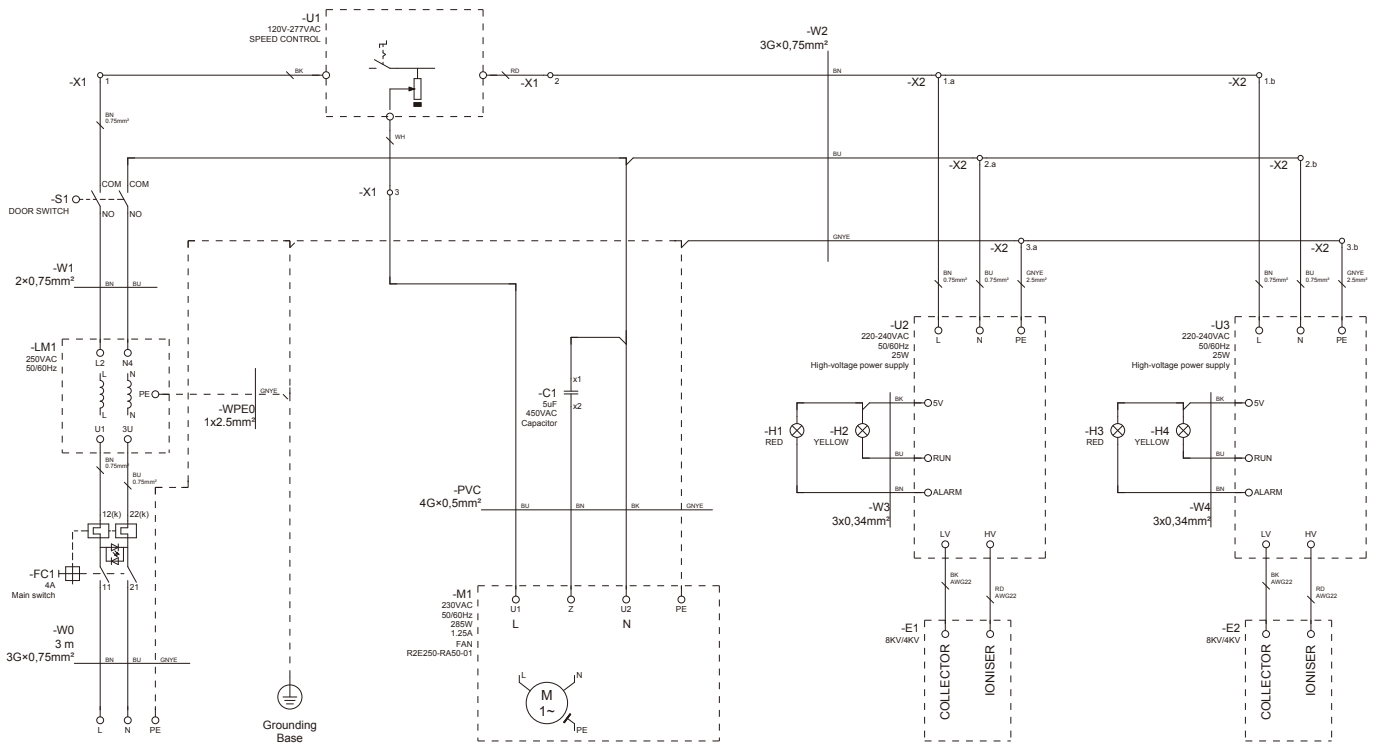
\*Measured with clean filters

\*\* Units were run with clean filters and measurements were made 2 meters off the ground and 1 meter away from the collector, on the filter door side.

Specifications subject to change without notice

# Power connection

The TriMist 850 G2 is equipped with a 2.5 m power cord and a CEE 7/4 Schuko 2-pin mains plug. Please note that the TriMist 850 G2 is not dual voltage.

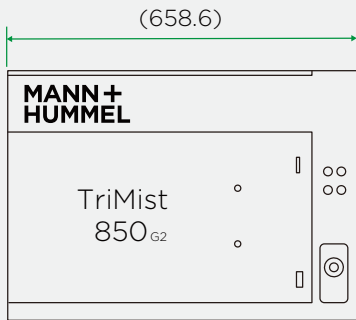


INPUT: 220-240 V, 50 Hz, max. 1.3 amps, single phase

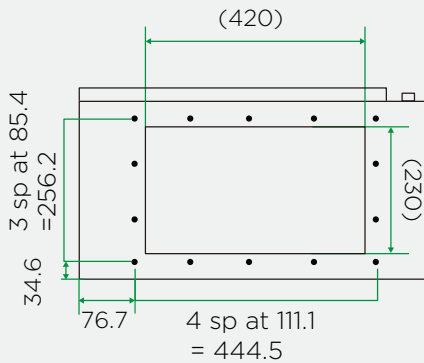
# Dimensions and weight

Units: mm

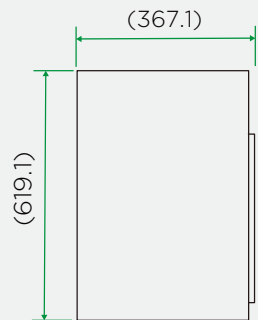
Installed weight	<b>46 kg</b>
------------------	--------------



Front view



Bottom view



Left view



2023 © MANN+HUMMEL

**MANN+**  
**HUMMEL**



曼胡默尔过滤技术（中国）有限公司  
江苏省昆山开发区杜鹃路555号  
[airfiltration.mann-hummel.com/cn](http://airfiltration.mann-hummel.com/cn)